



Kit "N"

Black grid, Iroko-wood chopping board, stainless steel bottle holder

Accessories equipped troughs

Code: 8100 714



DETAILS

Equipped troughs accessories Multifunction kit

Type Standard

Dimensions 56 x 14 cm

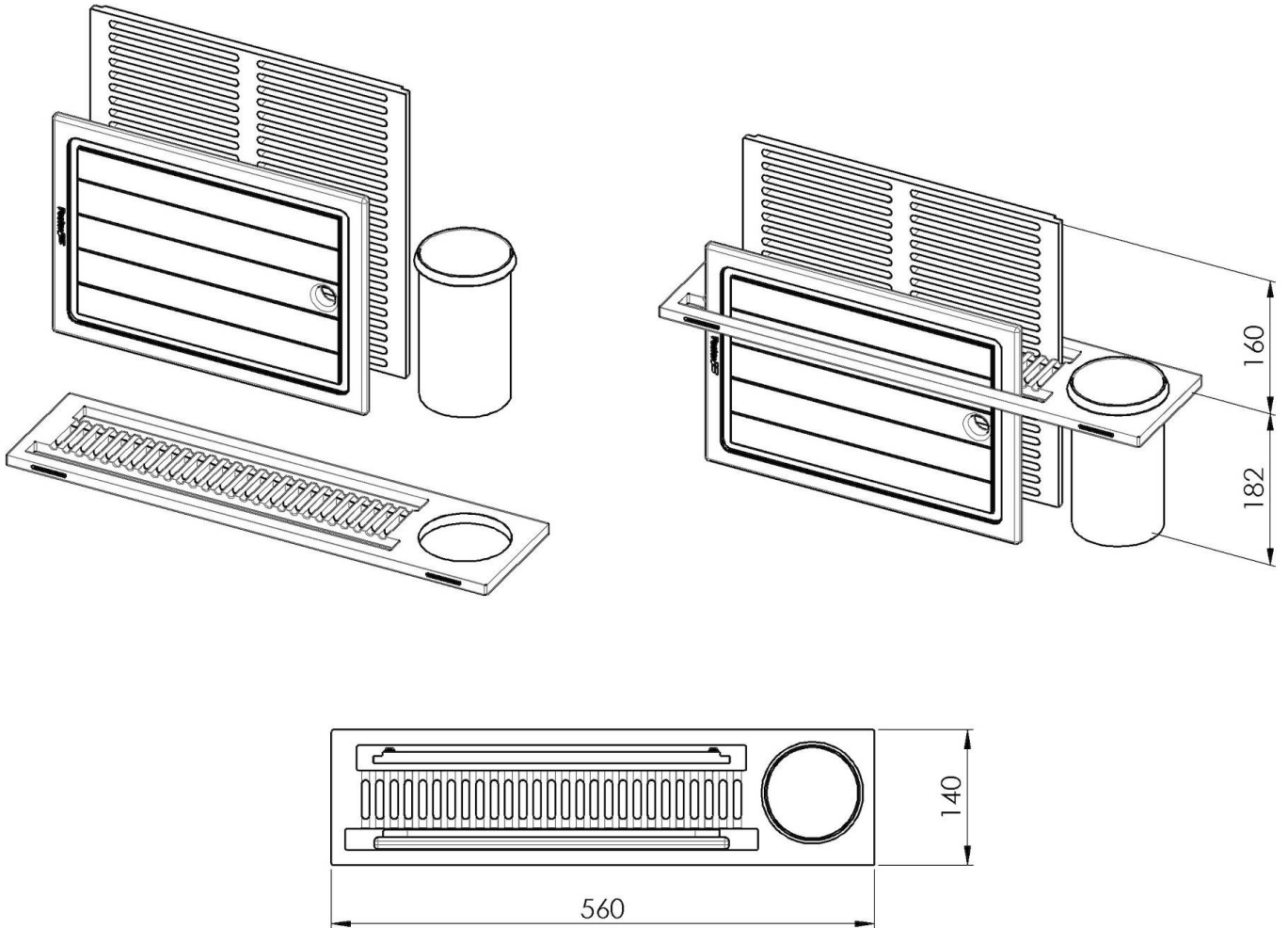
Length 4 unit - Standard

Key to understanding the accessories The lengths of the channels and accessories are indicated in “units”; for the composition, the sum of the “units” of the accessories must be the same as the length in “units” of the channel.

Notes: Only for Series 35 bowls

TECHNICAL DATA

8100 714



- 1 x supporto black / 1 x black support
- 1 x portabottiglie / 1 x bottle holder
- 1 x tagliere iroko / 1 x iroko chopping board
- 1 x griglia black / 1 x black grill

EQUIPMENT



Black grid
8100 618



Iroko-wood chopping board
8643 117

OPTIONAL ACCESSORIES



Knives-holder
8100 030